

**SERVICE**

**MANUAL**

**AMPLIFIER**

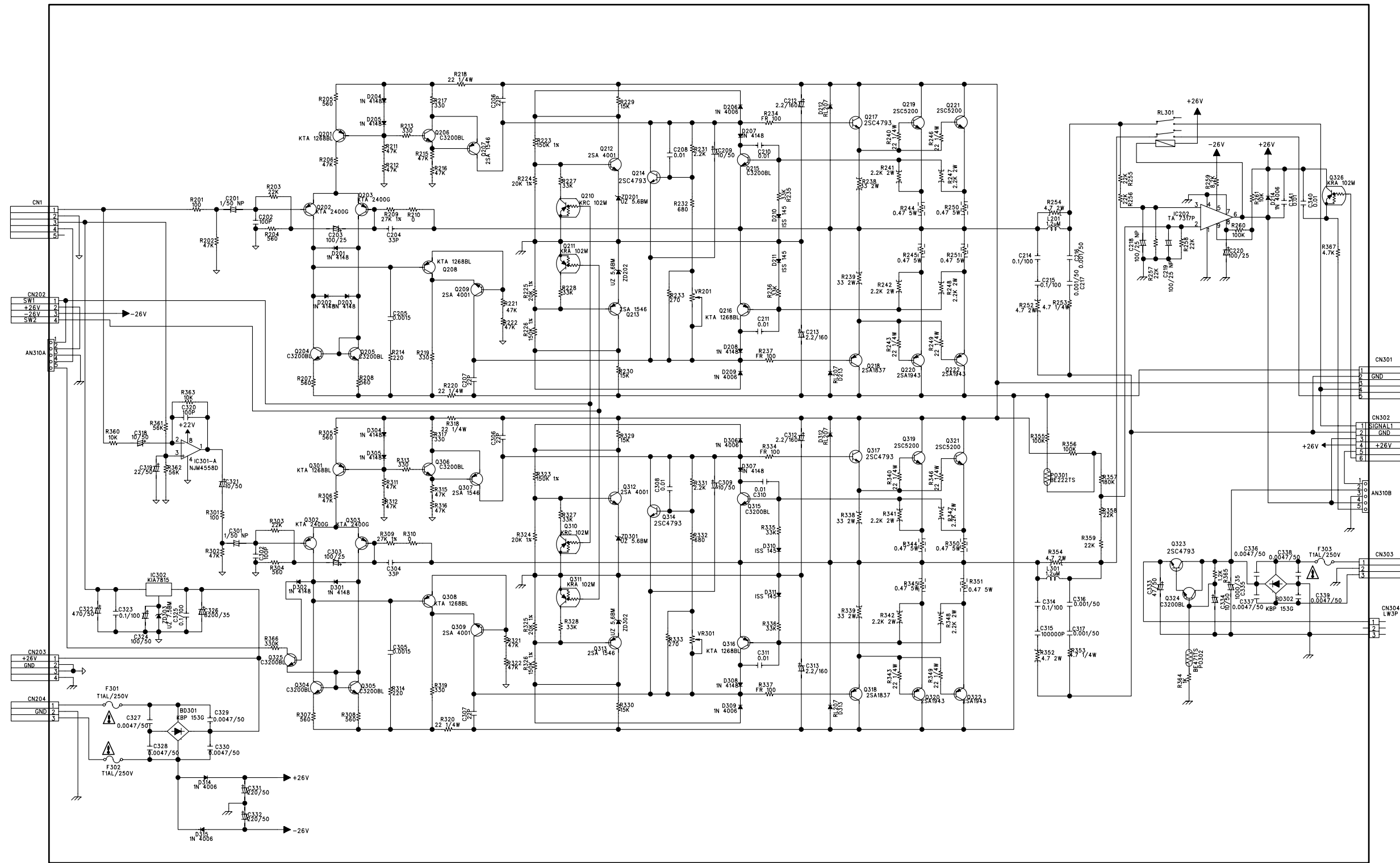
**PAM-240/360 □**

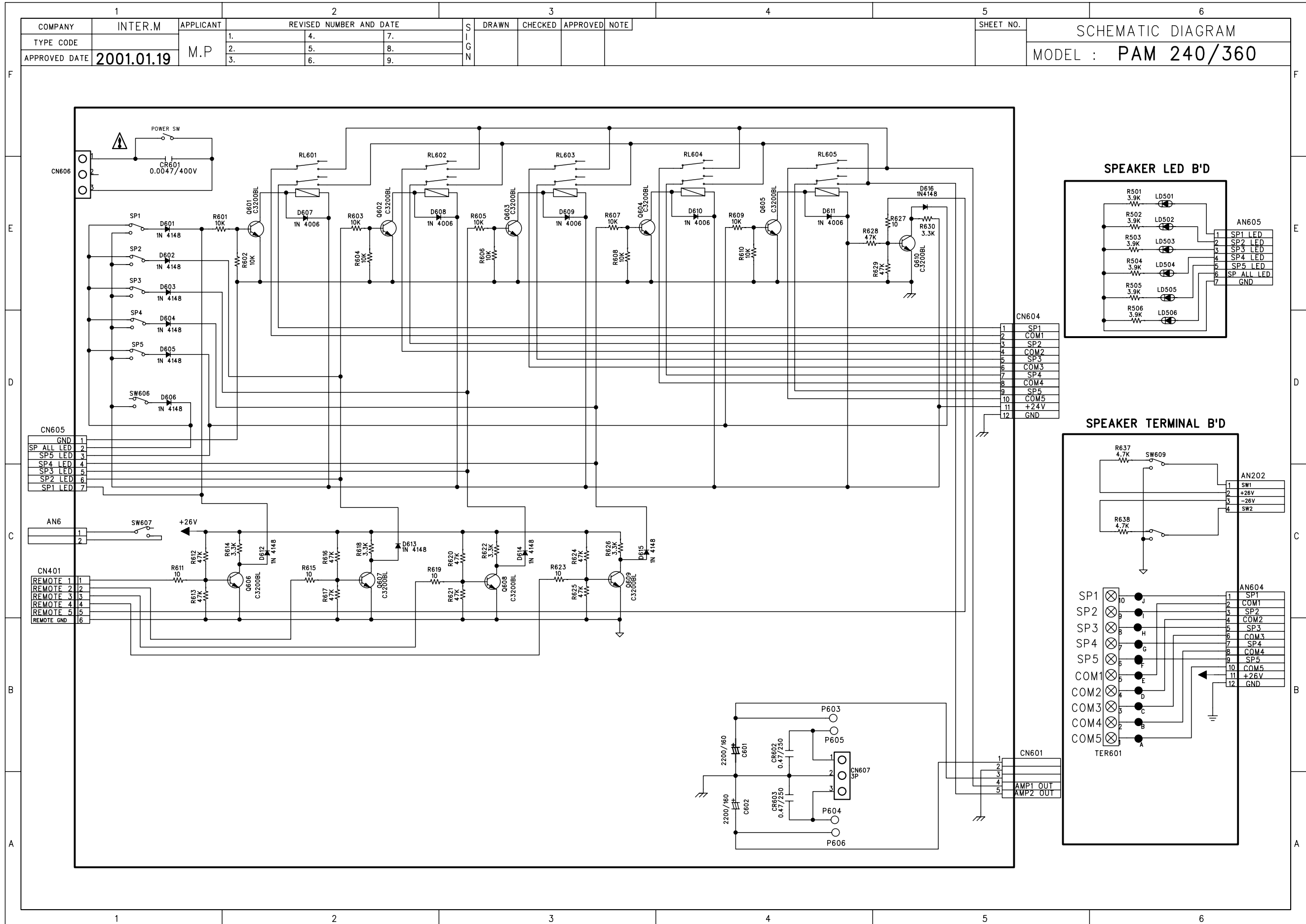
**interM**



1	2	3	4	5	6	7	8	9	
COMPANY	INTER.M	APPLICANT	REVISED NUMBER AND DATE			DRAWN	CHECKED	APPROVED	NOTE
TYPE CODE		M.P.	1.	4.	7.				
APPROVED DATE	2001. 1 . 19		2.	5.	8.				
			3.	6.	9.				

SHEET NO. SCHEMATIC DIAGRAM  
MODEL : PAM 240/360





## ELECTRICAL PARTS LIST (PAM-240/360)

Reference	ITEM NO	Description	Value	Qty
<b>MAIN B'D(4005182600)</b>				
CR701-704	3529104531-A	CAP CE F 100000PF 50V Z	0.1	4
CR705-706 CR712 CR715	3529300311-A	CAP CE SL 30PF 50V J AXIAL	30p	4
CR709-710	3529470311-A	CAP CE SL 47PF 50V J AXIAL	47p	2
CR711	3509820231-A	CAP CE B 82PF 50V K AXIAL	82p	1
CR707-708	3509101231-A	CAP CE B 100PF 50V K AXIAL	100p	2
CR714	3509561231-A	CAP CE B 560PF 50V K AXIAL	560p	1
CR713	3539472331-A	CAP CE X 4700PF 16V M AXIAL	0.0047	1
CR716	3509271231-A	CAP CE B 270PF 50V K AXIAL	270p	1
CR717	3529100311-A	CAP CE SL 10PF 50V J AXIAL	10p	1
C701	3419547177	CAP E SD 470UF 50V (10P)	470/50	1
C702	3409210171-T	CAP AF RSG 100UF 50V 8 P	100/50	1
C703 C705	3409222171-T	CAP AF RSG 220UF 50V SG 10 P	220/50	2
C706-712 C714-715 C717 C719 C721 C726-727 C734 C736 C738 C743 C756-758 C761 C763-764 C766-767 C772 C778 C790	3409210071-T	CAP AF RSG 10UF 50V 5 P	10/50	29
C722 C749 C751 C725 C728 C768-769 C775	3409210971-T	CAP AF RSG 1UF 50V 5 P	1/50	8
C750 C752 C724 C718 C765 C733 C781 C737	3409247071-T	CAP AF RSG 47UF 50V 6 P	47/50	8
C759	3409233071-T	CAP AF RSG 33UF 50V 6 P	33/50	1
C760 C716 C762 C732 C720 C748 C735 C723 C713	3409222071-T	CAP AF RSG 22UF 50V 5 P	22/50	9
C754 C746 C753	3409247971-T	CAP AF RSG 4.7UF 50V 5 P	4.7/50	3
C774 C779-780 C773	3409210141-T	CAP AF RSG 100UF 25V 6 P	100/25	4
C747	3409247871-T	CAP AF RSG 0.47UF 50V 5 P	0.47/50	1
C745 C744	3409247991-T	CAP AF RSG 4.7UF 100V 5 P	4.7/100	2
C729-730	3609333120-T	CAP MA 0.033UF 100V J	0.033(M)	2
C731 C742	3609122120-T	CAP MA 0.0012UF 100V J	0.0012(M)	2
C741	3609472120-T	CAP MA 0.0047UF 100V J	0.0047(M)	1
C755	3609153120-T	CAP MA 0.015UF 100V J	0.0082(M)	1
C770	3609102120-T	CAP MA 0.001UF 100V	0.001(M)	1
C771 C777	3609104122-T	CAP MA 0.1UF 100V J SMALL	0.1(M)	2
C776	3609103120-T	CAP MA 0.01UF 100V	0.01(M)	1
C739-740	3609683120-T	CAP MA 0.068UF 100V J	0.1/500V	2
CN4	4428598311	CONNECTOR WAFER LW-0640-11P	LW11P	1
CN6	4428595002	LW5267/LWB0640/2.5MM-02P	LW 2P	1
CN301	4428595003	LW5267/LWB0640/2.5MM-03P	LW3P	1
AN203	4355801214	CON ASS'Y 4P FLAT 300MM PAM	4P	1
CN5	4428595004	CON WAFER A2505WV2-04P	LW4P	1
AN8-9	4428598304	WAFER LW-0640-4P	LW4P	2
AN1	4355799516	CON ASS'Y 5P FLAT 360MM PAM	5P	1
CN7 CN10	4428595005	LW5267/LWB0640/2.5MM-05P	LW5P	2
D701-703	2058304100	DIODE IN4148M	IN4148	3
D704 D707 D715	2058100996	DIODE RECTIFIER LT1N4006(4007)	IN4006	3
D705 D708-714 D706	2058304100	DIODE IN4148M	IN4148	9
C791	3409710070-T	CAP AF NP 10UF 50V 6 P	10/50	1
IC702	2128740208	IC BXA 4240	BXA4240	1
IC703-705 IC707-708	2118010590	IC NJM4558D JRC	4558	5
IC706	2118012032	IC NJM4560D JRC	JRC4560D	1
IC701	2128610400	IC 7824 COMMON	7824	1
	7505299340	HEAT SINK EQ-131	20mm	

IC709	2168640988	IC 7815 SAMSUNG	7815	1
	7505297830	HEAT SINK (TR) PAM-240/360	40mm	
R705	3039152575-T	RES MO 1.5K 2W J RADIAL	1.5K 2W	1
R809	3009104973	RES CF 100K 1/5W J N	100K	1
R701	3039100575-T	RES MO 10 2W JR	10 2W	1
R931	3009153973	RES CF 15K 1/5W J N	15K	1
R930	3009181973	RES CF 180 1/5W J N	180	1
R707	3009221973	RES CF 220 1/5W J N	220	1
R932	3009224973	RES CF 220K 1/5W J N	220K	1
R703-704 R802	3039479575-T	RES MO 4.7 2W J RADIAL	4.7 2W	3
R803	3009472973	RES CF 4.7K 1/5W J N	4.7K	1
R702	3059569786	RES CE 5.6 5W R	5.6 5W	1
R706 R757	3009332973	RES CF 3.3K 1/5W J N	3.3K	2
R709-711 R716-718 R754 R834-835	3009473973	RES CF 47K 1/5W J N	47K	9
R714 R721-725 R728 R733-734 R738 R793 R799 R829 R840	3009153973	RES CF 15K 1/5W J N	15K	14
R732 R726 R736-737 R727 R741-742 R758-759 R762-763 R783-784 R810 R819-820 R823-824 R832 R731	3009563973	RES CF 56K 1/5W J N	56K	20
R752-753 R767-768 R801 R813 R751	3009103973	RES CF 10K 1/5W J N	10K	7
R740 R770 R778-779	3009302973	RES CF 3K 1/5W J N	3K	4
R719 R769 R811 R712	3009223973	RES CF 22K 1/5W J N	22K	4
R715 R812 R708	3009220973	RES CF 22 1/5W J N	22	3
R760 R774 R735 R744 R787 R828	3009100973	RES CF 10 1/5W J N	10	6
R776-777 R781	3009331973	RES CF 330 1/5W J N	330	3
R772 R782 R773 R765 R822 R825-827	3009102973	RES CF 1K 1/5W J N	1K	8
R771 R789 R796 R815 R830	3009393973	RES CF 39K 1/5W J N	39K	5
R792 R798 R755 R814	3009472973	RES CF 4.7K 1/5W J N	4.7K	4
R788	3009224973	RES CF 220K 1/5W J N	220K	1
R797 R791	3009334973	RES CF 330K 1/5W J N	330K	2
R729 R739	3009133973	RES CF 13K 1/5W J N	13K	2
R756 R804 R785	3009752973	RES CF 7.5K 1/5W J N	7.5K	3
R806 R745 R794 R746 R805 R800	3009104973	RES CF 100K 1/5W J N	100K	6
R764 R775 R720 R713	3009183973	RES CF 18K 1/5W J N	18K	4
R817	3009330973	RES CF 33 1/5W J N	33	1
R818	3009101973	RES CF 100 1/5W J N	100	1
R807	3009105973	RES CF 1M 1/5W J N	1M	1
R747 R766	3009123973	RES CF 12K 1/5W J N	12K	2
R743	3009303973	RES CF 30K 1/5W J N	30K	1
R748	3009222973	RES CF 2.2K 1/5W J N	2.2K	1
R749	3009203973	RES CF 20K 1/5W J N	20K	1
R761 R730	3009202973	RES CF 2K 1/5W J N	2K	2
R786	3009392973	RES CF 3.9K 1/5W J N	3.9K	1
R795	3009106973	RES CF 10M 1/5W J N	10M	1
R780	3009152973	RES CF 1.5K 1/5W J N	1.5K	1
R790	3009225973	RES CF 2.2M 1/5W J N	2.2M	1
R831 R816	3009683973	RES CF 68K 1/5W J N	68K	2
R821 R808	3009274973	RES CF 270K 1/5W J N	270K	2
R750	3009561973	RES CF 560 1/5W J N	560	1
RLY1-3	5528001040	RELAY RZ-24 RY24W DC24V	RY24W	3
0701	2028406114	TR KTD2059-Y-U	D2059Y	1

Q701	7505299210	HEAT SINK PSM-301	HEAT SINK	1
Q702	2028406113	KTD2058-Y-U	D2058	1
Q706 Q709	2008606101-T	KTC3198L-BL-AT	C3198BL	2
Q703-705 Q707-708	2008606104-T	TR NPN KTC3198-Y-AT TO-92	KTC 3198Y	5
SVR701	3248310220	RES SEMI RH0615C100102	1K	1
SVR702	3248310220-T	RES SEMI RH063MC13R	1K	1
SVR703-704	3248347320-T	RES SEMI RH063MCS4R	47K	2
VR701-707	3228074710	VR RK11K112010713A	10KA	7
VR708-709	3238089910	VR RK11K116010753B	50KB	2
ZD701	2058502180	DIODE ZENER UZ-18BM(1N5248B)	18BM	1
ZD703	2058502056	DIODE ZENER UZ-5.6BM(1N5232B)	5.6BM	1
CN13	4428592520	WAFER BOX TPHB03-1419-20A	20P	1
HEAT SINK	8195000310	HEAT SINK SCREW	HEAT SINK	1

**SPEAKER SELECTOR B'D(4005182610)**

C602	3419022205	CAP AF HC 2200UF160V35X50 JAMI	2200/160	1
CR601	3549472407	CAP DE2E3KH472MA4B	0.0047/400V	1
CN604	4428596612	LOCK WAFER LW-1143-12P	12P	1
AN6	4355857810	CON ASS'Y 2P	2P	1
CN603	4355923805	WAFER LW(3.96) 5P JIS	5P	1
CN401	4428595006	LW5267/LWB0640/2.5MM-06P	LW6P	1
CN605	4428595007	LW5267/LWB0640/2.5MM-07P	LW7P	1
CN606	4355923801	CON WAFER B3P-VH JST(3.96)	JST2P	1
CN607	4355923803	CONNECTOR WAFER 03P(J.ST)	3P	1
D607-611	2058100996	DIODE RECTIFIER LT1N4006(4007)	1N 4006	5
D601-606 D612-615	2058304100	DIODE IN4148M	1N 4148	10
D616	2058304100	DIODE IN4148M	1N4148	1
C601	3419022205	CAP AF HC 2200UF160V35X50 JAMI	2200/160	1
CR602-603	3619474153	CAP POLY TM 0.47UF 250V	0.47/250	2
R611 R615 R619 R623 R627	3009100973	RES CF 10 1/5W J N	10	5
R601-610	3009103973	RES CF 10K 1/5W J N	10K	10
R614 R618 R622 R626 R630	3009332973	RES CF 3.3K 1/5W J N	3.3K	5
R612-613 R616-617 R620-621 R624-625 R628-629	3009473973	RES CF 47K 1/5W J N	47K	10
SW606	4628984010	SW PUSH JPJ061-306DT-01 JAEIL	JPJ061-306DT	1
SW607	4628098520	SW PUSH SPUN19X1M031	SPUN19X1M031	1
RL601-605	5528007500	RELAY DH24D2-0 24V (DAIICHI)	DH24D2-0	5
P603	4355789213	CON ASS'Y 1P RED 270MM PAM	250	1
P604-605	4355789313	CON ASS'Y 1P ORG 270MM PAM	250	2
P606	4355789413	CON ASS'Y 1P BLK 270MM PAM	250	1
SW1	4648098410	SW PS-5-W7AV	PS-5-W7AV	1
Q601-610	2008606108-T	KTC3200-BL-AT	C3200BL	10
GND	4235007210	GND TERMINAL (POWER B'D)	GND	1

**POWER IN B'D(4005182620)**

AC-IN	4448599010	AC INLET (B'D IN TYPE)	220V	1
CR723	3529103531-A	CAP CE F 10000PF 50V Z	0.01	1
CR730-733	3539102231-A	CAP CE YP 1000PF 50V K AXIAL	1000p	4
C1000	3549333001	CAP ECQ-J0187W (0.033UF 250V)	(100+0.33)	1
CR405-406	3509102231-A	CAP CE YB 1000PF 50V K AXIAL	0.001/500	2
CR407	3529560311-A	CAP CE SL 56PF 50V J AXIAL	56P	1
AN301	4355763617	CON ASS'Y 3P FLAT 390MM PAM	3P	1
AN401	4355801018	CON ASS'Y 6PFLAT420MMPAM240360	6P	1
AN403	4355772907	CON ASS'Y 3P	3P	1
AN5	4355747117	CON ASS'Y 4P S/P 390MM PAM	4P	1
CN8	4355923804	CONNECTOR WAFER 04P (J.ST)	CON4P	1
C403	3409222071-T	CAP AF RSG 22UF 50V 5 P	22/50	1
C401-402 C404	3409247071-T	CAP AF RSG 47UF 50V 6 P	47/50	3
AC-FUSE	4458999210	FAU-0031.3577 SCHURTER PU-3210	FAV-0031	1

IC401	2118010590	IC NJM4558D JRC	4558	1
JK401	4438194410	JACK TCS5037-01-4011 HOSIDEN	13P	1
JACK1-2	4438097310	JACK PHONE 4P	4P	2
R402-403 R407 R409	3009103973	RES CF 10K 1/5W J N	10K	4
R404-406 R408	3009123973	RES CF 12K 1/5W J N	12K	4
R927	3069225370	RES 2.2M 1/2W J N	2.2M 1/2W(E )	1
A3-4	4355830303	CON GND TERMINAL 1P Y/G	1P	2
ZD705	2058502056	DIODE ZENER UZ-5.6BM(1N5232B)	5.6BM	1

LINK IN/OUT B'D(4005182630)

CR718-721	3529104531-A	CAP CE F 10000PF 50V Z	0.1	4
CR722	3529103531-A	CAP CE F 10000PF 50V Z	0.01	1
CR726-727	3539102231-A	CAP CE YP 1000PF 50V K AXIAL	1000p	2
CR740-743	3509102530-T	CAP CE B 0.001UF 50V J	0.001/50	4
AN4	4355855816	CON ASSY 13P	13P	1
CN403	4428595003	LW5267/LWB0640/2.5MM-03P	LW3P	1
JACK3-4	4438097310	JACK PHONE 4P	4P	2
TER2	4465997604	SCREW TERMINAL 4P(D)	4P	1
ZD704	2058502056	DIODE ZENER UZ-5.6BM(1N5232B)	5.6BM	1
BK1-2	6505959710	JACK B.K.T	BKT	2
R925-926	3009103973	RES CF 10K 1/5W J N	10K	2

DISPLAY B'D(4005182640)

C901-902 C904	3409247971-T	CAP AF RSG 4.7UF 50V 5 P	4.7/50	3
C903	3409210971-T	CAP AF RSG 1UF 50V 5 P	1/50	1
CN14-15	4428594010	WAFER 5532-10A J.MOLEX	ASSY 10P	2
AN302	4355801021	CON ASSY 6P FLAT 510MM PAM	LW6P	1
C905	3409210871-T	CAP AF RSG 0.1UF 50V 5 P	0.1/50	1
IC901	2118030405	KIA6966S	KIA6966	1
IC902	2118040105	KIA6967S	KIA6967	1
R914	3002180953	RES CF 18K 1/5W FN	18K 1%	1
R902	3009223973	RES CF 22K 1/5W J N	22K	1
R901	3009394973	RES CF 390K 1/5W J N	390K	1
R906	3009393973	RES CF 39K 1/5W J N	39K	1
R923	3009752973	RES CF 7.5K 1/5W J N	7.5K	1
R903	3009303973	RES CF 30K 1/5W J N	30K	1
R904	3009184973	RES CF 180K 1/5W J N	180K	1
R905 R921	3009473973	RES CF 47K 1/5W J N	47K	2
R908-909 R915 R907	3009272973	RES CF 2.7K 1/5W J N	2.7K	4
R912-913 R910 R917 R920 R911	3009122973	RES CF 1.2K 1/5W J N	1.2K	6
R922	3009103973	RES CF 10K 1/5W J N	10K	1
Q901	2008606104-T	TR NPN KTC3198-Y-AT TO-92	KTC 3198Y	1
Q902-903	2008405990-T	KRC102M-AT	KRC102M	2

LED B'D(4005182650)

AN14-15	4428593910	WAFER 5533-10APB J.MOLEX	CON10P	2
LED1	2308000135	LTL-1CHEO11A LITEON	POWER	1
LED2	2308000135	LTL-1CHEO11A LITEON	PROT	1
LED3	2300032105	LED LTL-1CHG-021A LITEON	-19	1
LED4	2300032105	LED LTL-1CHG-021A LITEON	-14	1
LED5	2300032105	LED LTL-1CHG-021A LITEON	-11	1
LED6	2300032105	LED LTL-1CHG-021A LITEON	-8	1
LED7	2300032105	LED LTL-1CHG-021A LITEON	-6	1
LED8	2300032105	LED LTL-1CHG-021A LITEON	0	1
LED9	2308000135	LTL-1CHEO11A LITEON	CLIP	1
R918-919	3009122973	RES CF 1.2K 1/5W J N	1.2K	2

TERMINAL B'D(4005182660)

AN604	4355746919	CON ASSY 12P 450MM PAM	LA12P	1
AN202	4355801214	CON ASSY 4P FLAT 300MM PAM	4P	1
R637-638	3009472973	RES CF 4.7K 1/5W J N	4.7K	2



SW609	4618001110	SW SV10020-0202-9T-SN	SW	1
TER601	4465997605	TERMINAL SCREW (D 5P)	5P	1
R950-951	3009103973	RES CF 10K 1/5W J N	10K	2

SEPAKER LED B'D(4005182670)

AN605	4355820500	CON ASS'Y 7P (PW-9242V)	7P	1
LD501-506	2308237262	LED REF SLR 34GG R3 GRE RHOM	GRE(SLR34GG)	6
R501-506	3009392973	RES CF 3.9K 1/5W J N	3.9K	6

AMP B'D(4005183200C)

BD301-302	2058100979	DIODE BRIDGE (KBP01G/KBP153G)	KBP 153G	2
C216-217 C316-317	3509102530-T	CAP CE B 0.001UF 50V J	0.001/50	4
C205 C305	3539152311-A	CAP CE X 1500PF 16V M AXIAL	0.0015	2
C327-330 C336-339	3509472530-T	CAP CE F 0.0047UF 50V Z	0.0047/50	8
C340-341	3609103120-T	CAP MA 0.01UF 100V	0.01/100	2
C214 C314	3609104122-T	CAP MA 0.1UF 100V J SMALL	0.1/100	2
C315	3529104531-A	CAP CE F 100000PF 50V Z	100000P	1
C215 C323 C325	3609104122-T	CAP MA 0.1UF 100V J SMALL	0.1/100	3
C208 C210-211 C308 C310-311	3529103531-A	CAP CE F 10000PF 50V Z	0.01	6
C202 C302 C320	3509101231-A	CAP CE B 100PF 50V K AXIAL	100P	3
C307	3509220150-T	CAP CE SL 22PF 500V J	22P	1
C206-207 C306	3509220130-T	CAP CE SL 22PF 50V J	22P	3
C204 C304	3509330130-T	CAP CE SL 33PF 50V J	33P	2
CN204 CN303	4428595003	LW5267/LWB0640/2.5MM-03P	LW3P	2
CN202-203	4428595004	LW5267/LWB0640/2.5MM-04P	LW4P	2
CN1	4428595005	LW5267/LWB0640/2.5MM-05P	LW5P	1
CN301	4355923805	WAFER LW(3.96) 5P JIS	LW5P	1
CN302	4428595006	LW5267/LWB0640/2.5MM-06P	LW6P	1
L201 L301	2648099940	COIL INDUCTOR 1.2UH	1.2uM	2
AN310A AN310B	4355747010	CON ASS'Y 5P S/P 210MM PAM	5P	1
D206 D209 D214 D306 D309 D314-315	2058100996	DIODE RECTIFIER LT1N4006(4007)	1N 4006	7
D201-205 D207-208 D301-302 D304-305 D307-308	2058304100	DIODE IN4148M	1N 4148	13
D210-211 D310-311	2058322100	DIODE 1SS145 ROHM	ISS 145	4
D212-213 D312-313	2058100110	DIODE RL207 PYUNG CHANG	RL207	4
C201 C301	3409810971-T	CAP AF NP 1UF 50V 6 P	1/50 NP	2
C209 C309 C318 C321 C334	3409210071-T	CAP AF RSG 10UF 50V 5 P	10/50	5
C218-219	3409810141-T	CAP AF NP 100UF 25V	100/25 NP	2
C203 C220 C303	3409210141-T	CAP AF RSG 100UF 25V 6 P	100/25	3
C324	3409210171-T	CAP AF RSG 100UF 50V 8 P	100/50	1
C335	3408210261	CAP RSG 1000UF 35V SNAP 16 P	1000/35	1
C212-213 C312-313	3409222901-T	CAP SG 2.2UF 160V	2.2/160	4
C319	3409222071-T	CAP AF RSG 22UF 50V 5 P	22/50	1
C331-332	3409222171-T	CAP AF RSG 220UF 50V SG 10 P	220/50	2
C333	3409247071-T	CAP AF RSG 47UF 50V 6 P	47/50	1
C322	3419547177	CAP E SD 470UF 50V (10P)	470/50	1
C326	3419582266	CAP AF HE 8200UF 35V 105°C	8200/35	1
F301-303	4458999110	FUSE CLIP 5*20	T1AL/250V	3
IC301	2118010590	IC NJM4558D JRC	NJM4558D	1
IC302	2118011905	KIA7815API-U	KIA7815	1
VR201 VR301	3248347120-T	RES SEMI RH063MCS2R	470	2
PO301	2438007993	POSISTOR PTFM04BE22Q2N34B0	BE222TS	1
PO302	2438007995	POSISTOR PTFM04BH471Q2N34B0	BE471TS	1
R244-245 R250-251 R344-345 R350-351	3059478783	RES CE 0.47 5W J T	0.47 5W	8
R210 R310	3009000973	RES CF 0 1/5W JN	0	2
R365	3009122973	RES CF 1.2K 1/5W J N	1.2K	1
R201 R301	3009101973	RES CF 100 1/5W J N	100	2

R234 R237 R334 R337	3089101275	RES NFR 100 1/4W J R PHILKO	FR 100	4
R260 R355-356	3009104973	RES CF 100K 1/5W J N	100K	3
R261 R360 R363	3009103973	RES CF 10K 1/5W J N	10K	3
R223 R226 R323 R326	3009154973	RES CF 150K 1/5W J N	150K 1%	4
R229-230 R329-330	3009153973	RES CF 15K 1/5W J N	15K	4
R357	3009184973	RES CF 180K 1/5W J N	180K	1
R364	3009102973	RES CF 1K 1/5W J N	1K	1
R231 R331	3009222973	RES CF 2.2K 1/5W J N	2.2K	2
R241-242 R247-248 R341-342 R347-348	3039222575-T	RES MO 2.2K 2W J R	2.2K 2W	8
R224-225 R324-325	3002200953	RES CF 20K 1/5W F N	20K 1%	4
R214 R314	3009221973	RES CF 220 1/5W J N	220	2
R218 R220 R240 R243 R246 R249 R318 R320 R340 R343 R346 R349	3079220275	RES NFR 22 1/4W JR PHILKO	22 1/4W	12
R203 R255-258 R303 R358-359	3009223973	RES CF 22K 1/5W J N	22K	8
R233 R333	3009271973	RES CF 270 1/5W J N	270	2
R209 R309	3002270953	RES CF 27K 1/5W FN	27K 1%	2
R213 R217 R219 R313 R317 R319	3009331973	RES CF 330 1/5W J N	330	6
R366	3009334973	RES CF 330K 1/5W J N	330K	1
R238-239 R338-339	3039330575-T	RES MO 33 2W J RADIAL	33 2W	4
R227-228 R235-236 R327-328 R335-336	3009333973	RES CF 33K 1/5W J N	33K	8
R253 R353	3089479275	RES NFR 4.7 1/4W J R PHILKO	4.7 1/4W	2
R252 R254 R352 R354	3039479575-T	RES MO 4.7 2W J RADIAL	4.7 2W	4
R367	3009472973	RES CF 4.7K 1/5W J N	4.7K	1
R202 R206 R211-212 R215-216 R221-222 R302 R306 R311-312 R315-316 R321-322	3009473973	RES CF 47K 1/5W J N	47K	16
R204-205 R207-208 R304-305 R307-308	3009561973	RES CF 560 1/5W J N	560	8
R361-362	3009563973	RES CF 56K 1/5W J N	56K	2
R232 R332	3009681973	RES CF 680 1/5W J N	680	2
R259	3009822973	RES CF 8.2K 1/5W J N	8.2K	1
RL301	5528009950	RELAY HR-CR3A23 DC 24VH	CR323	1
IC202	2118050410	IC TA7317P TOSHIBA	TA 7317P	1
Q209 Q212 Q309 Q312	2008405999	TR NPN 2SC4001 NEC	2SA 4001	4
Q214 Q217 Q314 Q317 Q323	2028410884	TR NPN 2SC4793 TOSHIBA	2SC4793	5
Q219 Q221 Q319 Q321	2028407122	TR NPN 2SC5200 TOSHIBA	2SC5200	4
Q204-206 Q215 Q304-306 Q315 Q324-325	2008606108-T	KTC3200-BL-AT	C3200BL	10
Q207 Q213 Q307 Q313	2008005999	TR PNP 2SA 1546 NEC	2SA 1546	4
Q218 Q318	2028110941	TR PNP 2SA1837 TOSHIBA	2SA1837	2
Q220 Q222 Q320 Q322	2028107118	TR PNP 2SA1943 TOSHIBA	2SA1943	4
Q210 Q310	2008405990-T	KRC102M-AT	KRC 102M	2
Q211 Q311 Q326	2008606102-T	KRA102M-AT	KRA 102M	3
Q201 Q208 Q216 Q301 Q308 Q316	2008206104-T	KTA1268-BL-AT	KTA 1268BL	6
Q202-203 Q302-303	2008206106-T	KTA2400-GR-AT	KTA 2400G	4
CN304	4428595003	LW5267/LWB0640/2.5MM-03P	LW3P	1
ZD201-202 ZD301-302	2058502056	DIODE ZENER UZ-5.6BM(1N5232B)	UZ 5.6BM	4
ZD303	2058501076	DIODE ZENER UZ-7.5B(1N5236B)	UZ 7.5BM	1
P1-2	4678699411	CNT PLUG 1P	1P	2
P2	4353982811	GND TERMINAL ASS'Y 1P 230MMPAM	1P GND	1
HEAT SINK	7502089210	HEAT SINK PAM-240/360	HEAT SINK	1
FAN	7308999012	FAN(A8025H24B-FH)	FAN	1

BKT	6505932610 6505932620	BKT FAN-R PAM-240/360 BKT FAN-L PAM-240/360	BKT BKT	1 1
SPACER	6705998410 6705998510	SPACER HOLDER SPACER PS-A152	SPACER SPACER	2 2

INPUT B'D(4005411800)

CR101	3529103531-A	CAP CE F 1000PF 50V Z	0.01	1
CR102-105	3539102231-A	CAP CE YP 1000PF 50V K AXIAL	1000p	4
CR106-107	3509121231-A	CAP CE B 120PF 50V K AXIAL	120p	2
CR108	3529050311-A	CAP CE SL 5P 50V C AXIAL	5p	1
CR109	3509271231-A	CAP CE B 270PF 50V K AXIAL	270p	1
C101-102 C109-111	3409247071-T	CAP AF RSG 47UF 50V 6 P	47/50	5
C106 C103-104	3409222071-T	CAP AF RSG 22UF 50V 5 P	22/50	3
C107 C105	3409210071-T	CAP AF RSG 10UF 50V 5 P	10/50	2
C108	3609272120-T	CAP MA 0.0027UF 100V J	0.0027(M)	1
CR110	3529330311-A	CAP CE SL 33PF 50V J AXIAL	33P	1
CN102	4428596603	LOCK WAFER LW-1143-03P	LW1143-03	1
FB101-102	2648609900	FERITE BEAD H5B	H5B	2
IC101-102	2168220989	IC NJM 2068L JRC	2068L	2
JACK-1	4005411800	PCB INPUT 1 PAC-60/120	INPUT	1
R117	3009000973	RES CF 0 1/5W JN	0	1
R115	3003220953	RES CF 2.2K 1/5W F N	2.2K	1
R122	3009272973	RES CF 2.7K 1/5W J N	2.7K	1
R101-102	3009682973	RES CF 6.8K 1/5W J N	6.8K	2
R103-104	3009474973	RES CF 470K 1/5W J N	470K	2
R105 R107	3009430973	RES CF 43 1/5W J N	43	2
R106 R108	3009332973	RES CF 3.3K 1/5W J N	3.3K	2
R109-110	3009221973	RES CF 220 1/5W J N	220	2
R111 R114	3009132973	RES CF 1.3K 1/5W J N	1.3K	2
R113 R112 R116 R123	3009103973	RES CF 10K 1/5W J N	10K	4
R119	3009272973	RES CF 2.7K 1/5W J N	2.7K	1
R120	3009184973	RES CF 180K 1/5W J N	180K	1
R121	3009154973	RES CF 150K 1/5W J N	150K	1
R118	3004274953	RES CF 274 1/5W FN	27 1%	1
R124	3009100973	RES CF 10 1/5W J N	10	1
R125	3009470973	RES CF 47 1/5W J N	47	1
SW101	4628992410	SW PUSH SPUN19X1M011	PHANTOM	1
SW102	4628992410	SW PUSH SPUN19X1M011	PRIORITY	1
TRA4	4438193710	XLR JACK(F) 3P(E303A0070N)	XLR	1
VR101	3238083210	VR RV09A-20-15K-C54 ALPHA	15KC	1
VR102-104	3238083110	VR RV09A-20-15K-1354-0C ALPHA	15K	3
CN101	4428592820	WAFER BOX 20P TPHAB03-1419-20A	20P	1
BKT	6505946710	PCB BKT PAC-60/120	BKT	1

ASS'Y

PT	2828061710	POWER TRANS PAM-240 (220V)	PAM-240	
	2828061720	POWER TRANS PAM-240(230V)	C , R	
	2828061700	POWER TRANS PAM-240 (120V)	E	
	2828061730	POWER TRANS PAM-240 (240V)	D	
	2828061610	POWER TRANS PAM-360 (220V)	PAM-360	
	2828061600	POWER TRANS PAM-360 (120V)	E	
	2828061630	POWER TRANS PAM-360 (240V)	D	
	2828061620	POWER TRANS PAM-360 (230V)	C , R	
AC CORD	4308997310	AC CORD DOME 3-CORES	PAM-240,PAM-360	
	4308996710	AC CORD (WITHOUT PLUG)	C	
	4308998000	AC CORD POWER FOR SAA	D	
	4308999310	AC CORD UL 3 (INLET)	E	
	4308999410	AC CORD V+VII6A-250VHOVV-F3G	R	
FUSE	5508413539	FUSE#218T 20MM 6.3A/250V UCSKJ	PAM-240	
	5508413239	FUSE#218T 20MM 4A/250V UCSKJ	E	
	5508413239	FUSE#218T 20MM 4A/250V UCSKJ	PAM-360	
	5508213739	FUSE#234F 20MM 8A/250V UCKJ	E	