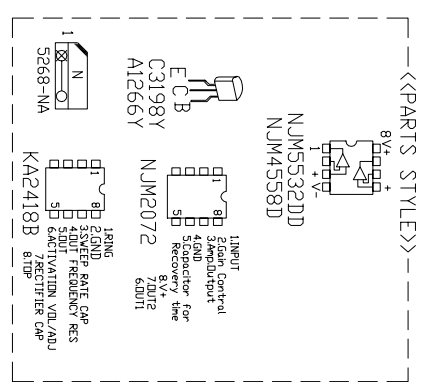
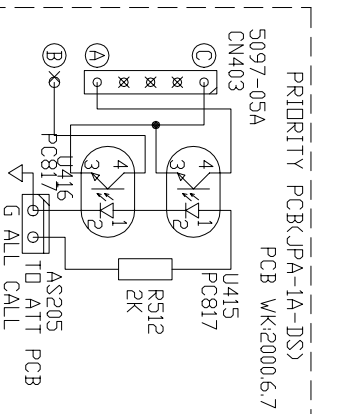


NOTES
 NJM5532DD, U401, U402, U403
 etc IC: NJM4558DD



END NO.
 RES: R401~R512
 CAP: C473
 DI: D1~D408
 IC: U415
 JAK: JK406
 TR: TQ412
 ZDI: ZD401
 CON: CN403
 V.R: VR403
 S/W: SW403
 RTC: RTC401
 JMP: J420

PCB N(4): JPA-1A-DK1(0)
 PCB WK: 99120



PROJECT	ATT. ZONE AMPLIFIER (JPA-1120A, JPA-1240A)	DESIGNED	DRAWN	CHECKED
TITLE	THE BEGINNING INPUT CIRCUIT DIAGRAM <PCB NAME: JPA-1A-D-DS(REAR BOARD)>	SCALE	UNIT	DATE
		NONE	KIM E. H.	2000.6.7
			APPROVED	DRAWN NO
				T398011H-SD1